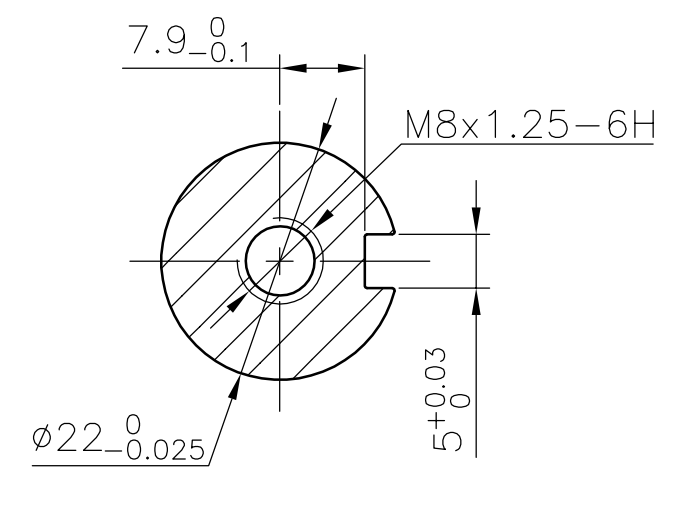
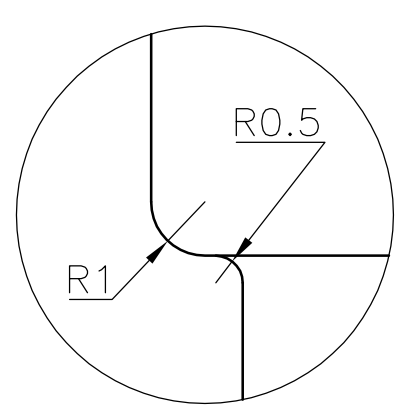
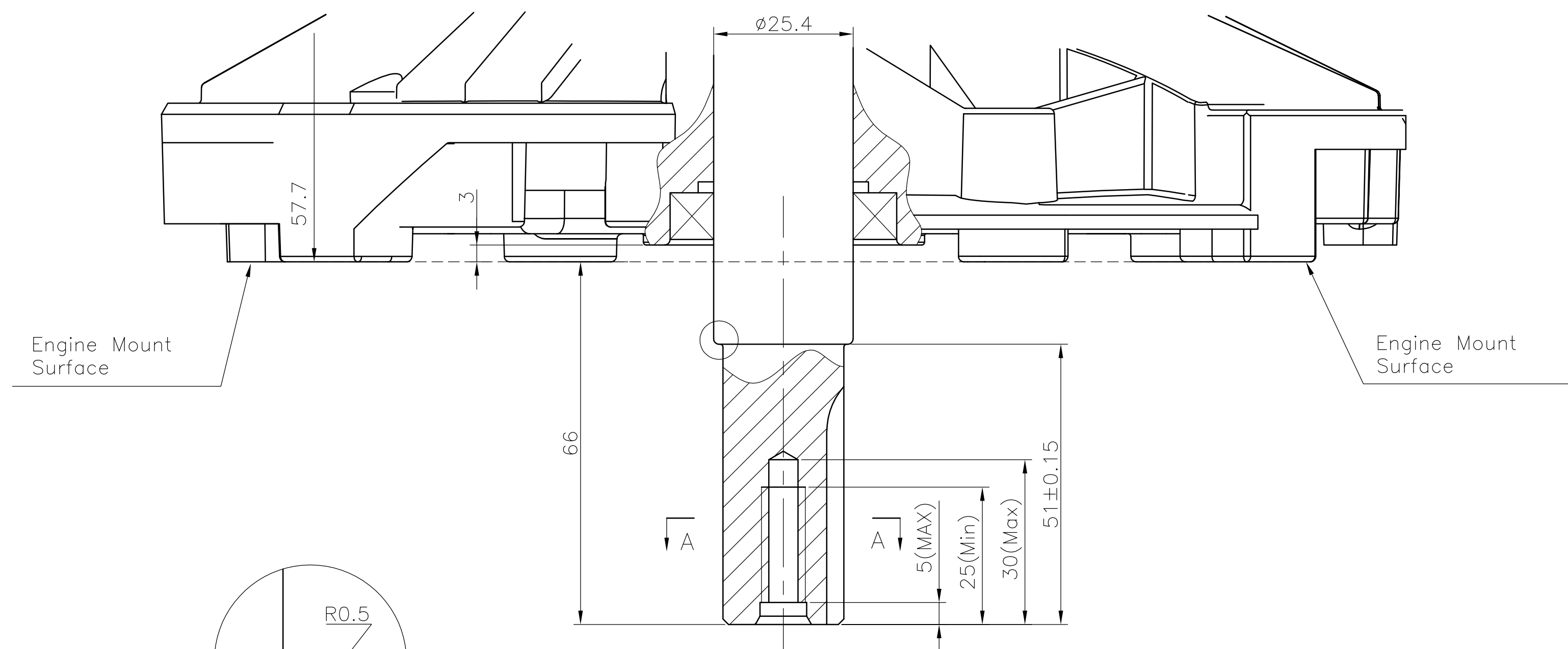
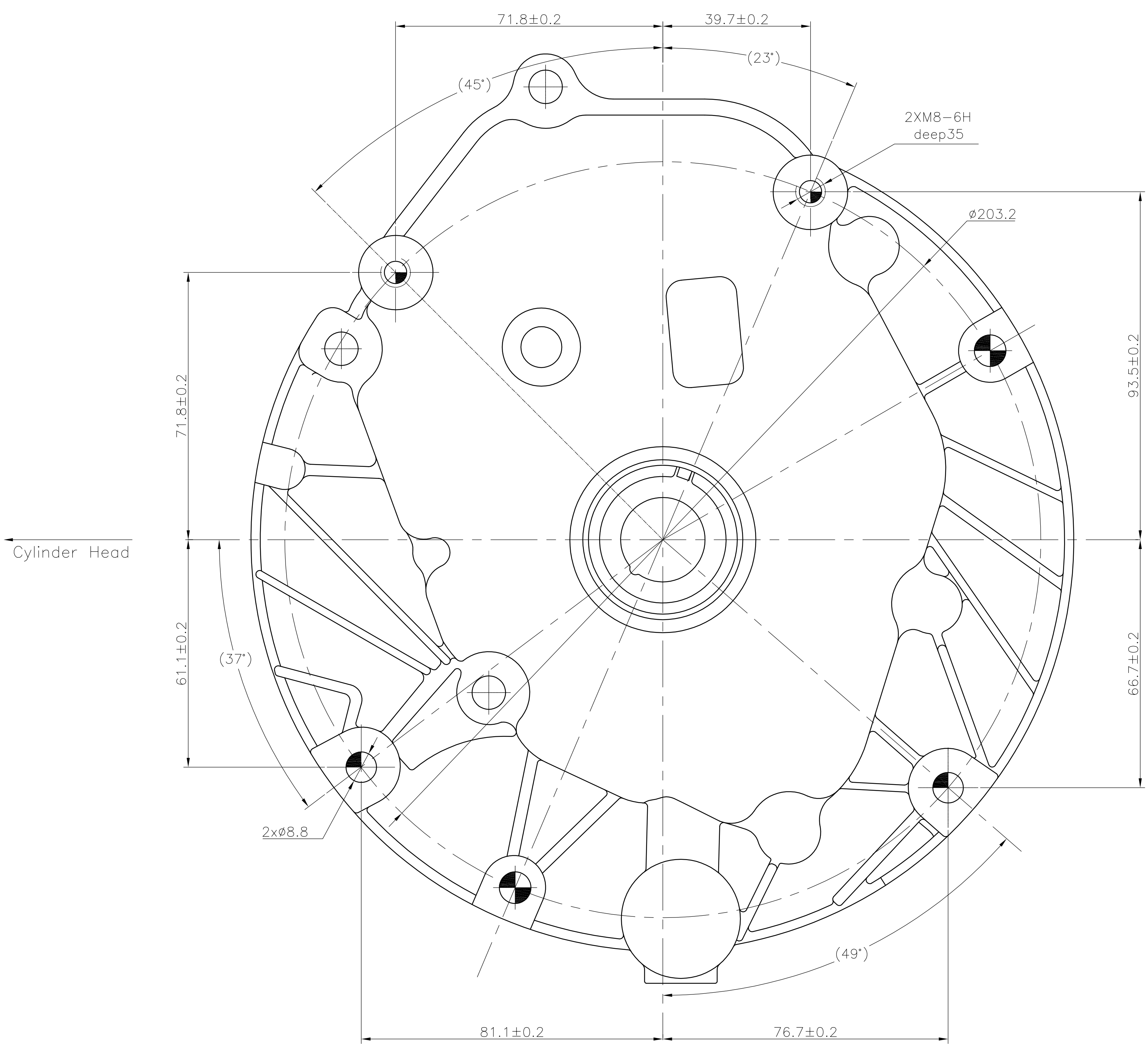


G200VK/2



G200VK/2